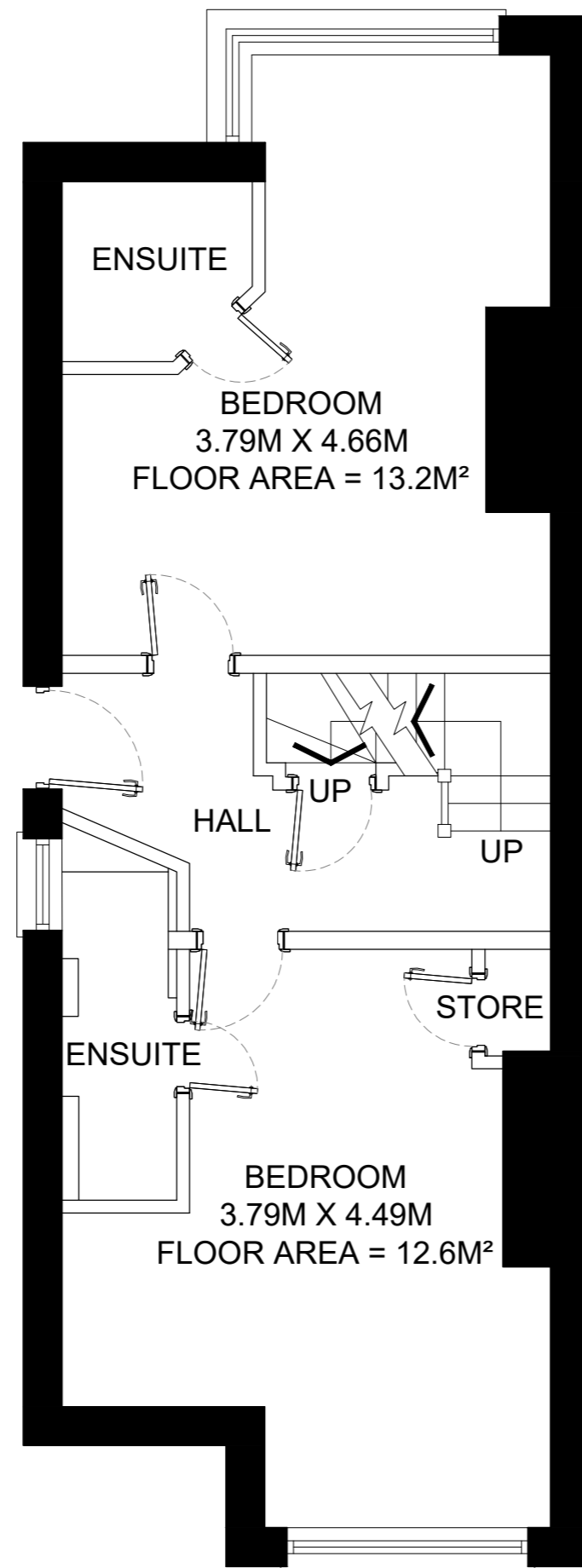
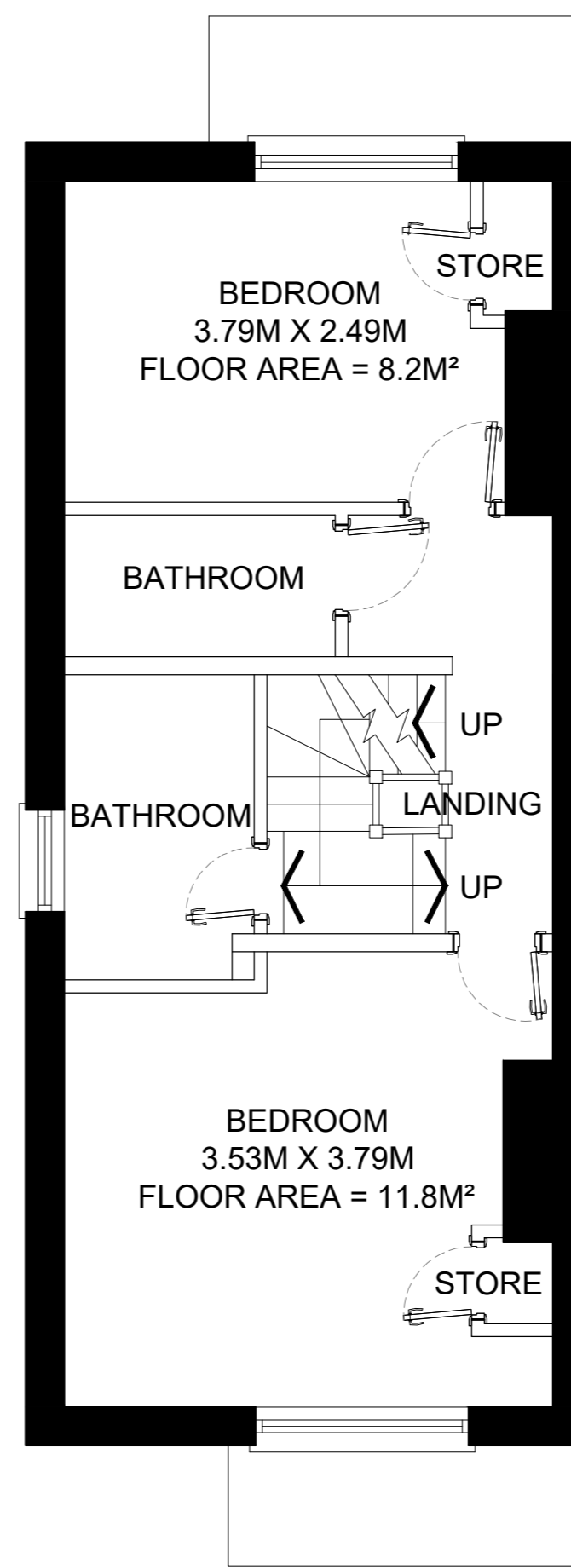


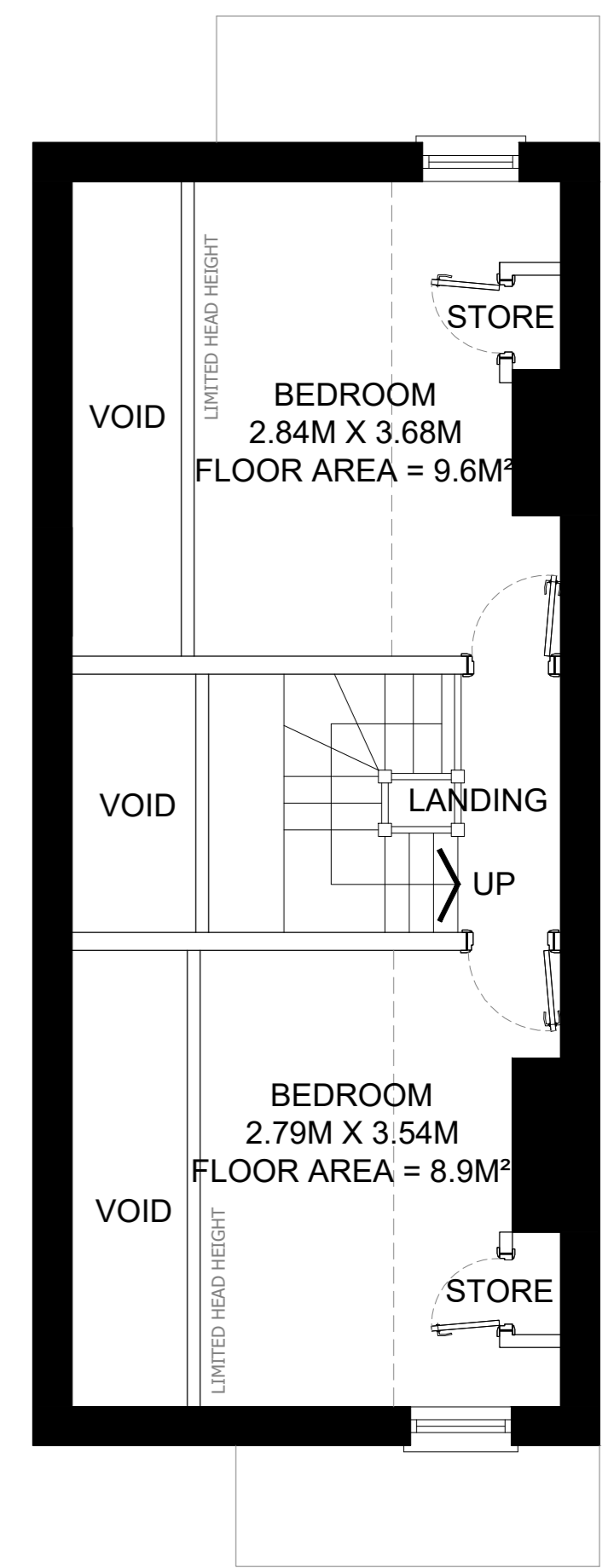
LOWER GROUND FLOOR PLAN



GROUND FLOOR PLAN



FIRST FLOOR PLAN



SECOND FLOOR PLAN

36 HARTLEY AVENUE
LEEDS
LS6 2LP

SALES PLANS
SCALE - 1:50 @ A2

